

Specialty door sizes

DOOR SIZES

	door size	multiple slabs used	rough opening	net finished opening
BYPASS	4' 0" 48"	(2) 2' 0"		47" x 81 3/4"
	5' 0" 60"	(2) 2' 6"		59" x 81 3/4"
	6' 0" 72"	(2) 3' 0"		71" x 81 3/4"
	8' 0" 96"	(3) 2' 8"		95" x 81 3/4"
	8' 0" 96"	(4) 2' 0"		95" x 81 3/4"
BIFOLD	2' 0" 24"	(2) 1' 0"		24" x 80 1/2"
	2' 6" 30"	(2) 1' 3"		30" x 80 1/2"
	3' 0" 36"	(2) 1' 6"		36" x 80 1/2"
	4' 0" 48"	(4) 1' 0"		48" x 80 1/2"
	5' 0" 60"	(4) 1' 3"		60" x 80 1/2"
	6' 0" 72"	(4) 1' 6"		72" x 80 1/2"
		2-Door Bifold Hardware Pack		
	4-Door Bifold Hardware Pack			
POCKET	2' 0" 24"		49" x 84 1/2"	
	2' 4" 28"		57" x 84 1/2"	
	2' 6" 30"		61" x 84 1/2"	
	2' 8" 32"		65" x 84 1/2"	
	3' 0" 36"		73" x 84 1/2"	
	4' 0" 48"	(2) 2' 0"	98" x 84 1/2"	
	4' 8" 56"	(2) 2' 4"	114" x 84 1/2"	
	5' 0" 60"	(2) 2' 6"	122" x 84 1/2"	
	5' 8" 68"	(2) 2' 8"	130" x 84 1/2"	
	6' 0" 72"	(2) 3' 0"	146" x 84 1/2"	

HINGES

[colors]

light brass
bright brass
antique brass
oil rubbed bronze
satin nickel
antique nickel
polished chrome
dull chrome
black

[standards]

All prehung doors include light brass, plain-bearing hinges with 5/8" radius corners. All 6' 8" and 7' 0" doors are hung with 3 hinges. All 8' 0" doors are hung with 4 hinges.

Upgrade colors and ball-bearing hinges are in stock and available for a small additional cost. If we don't have exactly what you're looking for, we can probably get it for you.

JAMB

[sizes]

4 9/16"
4 7/8"
5 1/4"
6 9/16"
7 1/4"

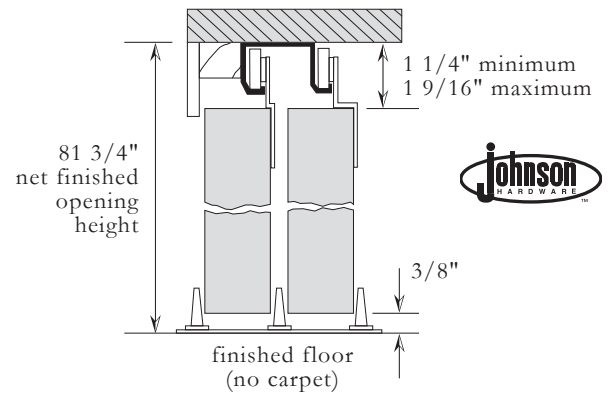
Paint-grade interior jambs, door stop and exterior jambs are primed. Exterior jambs are kerfed and include weather strip in white or brown.

In addition to the standard jamb sizes shown, special order jambs are available from 2 3/4" to 19". To determine the jamb size needed, measure the finished thickness of the wall, including drywall.

[standards]

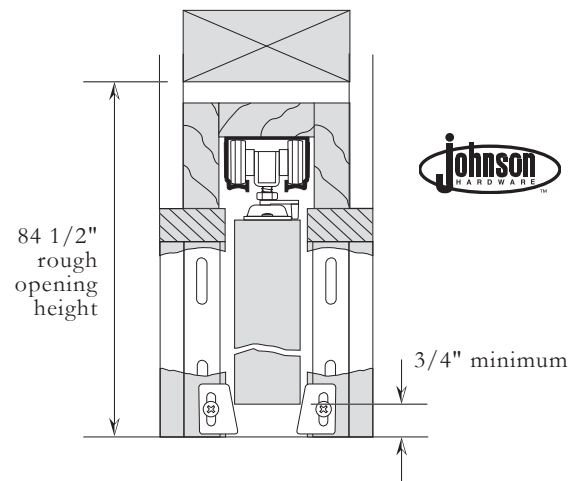
BYPASS DETAIL

*CROSS-SECTION VIEW



POCKET DETAIL

*CROSS-SECTION VIEW



MILLING STANDARDS

	interior	exterior wood	exterior steel
door height	80"	80"	79 5/16"
door thickness	1 3/8"	1 3/4"	1 3/4"
door width	1' to 3' 6"	2' 0" to 4' 0"	2' 0" to 3' 6"
deadbolt center	38 1/2"	38 1/2"	38 1/4"
knob center	44"	44"	43 3/4"
backset	2 3/8"	2 3/4"	2 3/4"
top hinge	7"	6 5/8"	6 3/4"
center hinge	36 1/4"	35 15/16"	36"
bottom hinge	65 1/2"	65 3/16"	65 1/4"

* Head gap tolerance 3/16"